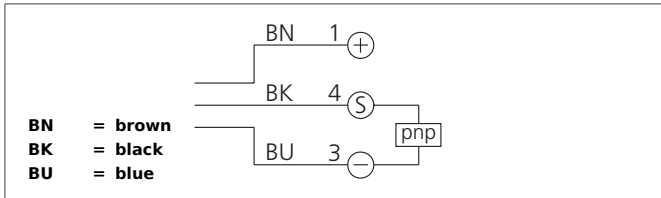


OR 6-41 K 4 P1-T3 Retroreflective Sensor

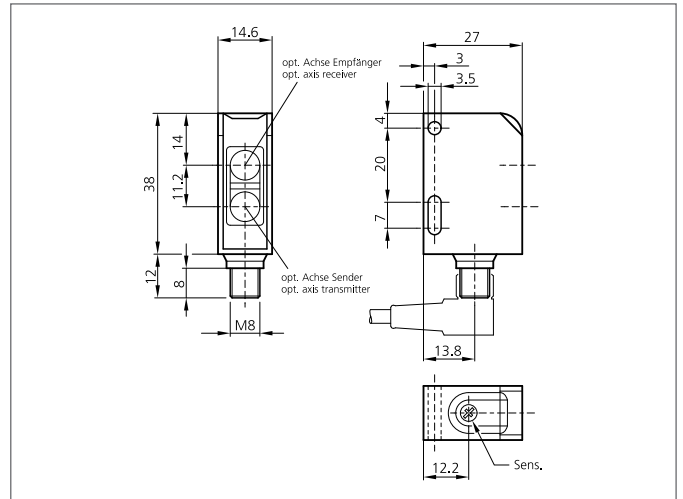
- High operating distance
- Visible red light with small light spot
- Polarized filter
- Sensitivity adjustable
- Small design
- All-purpose mounting
- LED indicator for output state



Safety instructions

The Instruments are not to be used for safety applications, in particular applications in which safety of persons depends on proper operation of the instruments.

These instruments shall exclusively be used by qualified personnel.



TECHNICAL INFORMATION (typ.)		+20°C, 24V DC
Operating principle		Retroreflective sensor
Evaluation		digital
Size		38 x 27 x 15 mm (Dimensions)
Design		cuboid design
Characteristics		Integrated polarized filter, Reflector R 46 in delivery
Emitted light		Red, 630 ... 670 nm, clocked
Operating distance		400 ... 4.000 mm (R 46), 900 ... 9.000 mm (R 84), 1.000 ... 10.000 mm (R 100x100)
Service voltage		10 ... 30 V DC
Internal power consumption		< 25 mA
Sensitivity adjustment		potentiometer
Referring reflector		100 x 100 mm
Switching output		pnp, 100 mA, NC
Switching frequency		500 Hz
Ambient temperature		-25 ... +60 °C
Ambient light immunity		5 kLx
Protection class		IP 67
Protection degree		III, operation on protective low voltage
Casing material		plastics
Material		plastic (Window)
Connection		Connector, M8, 3-poled